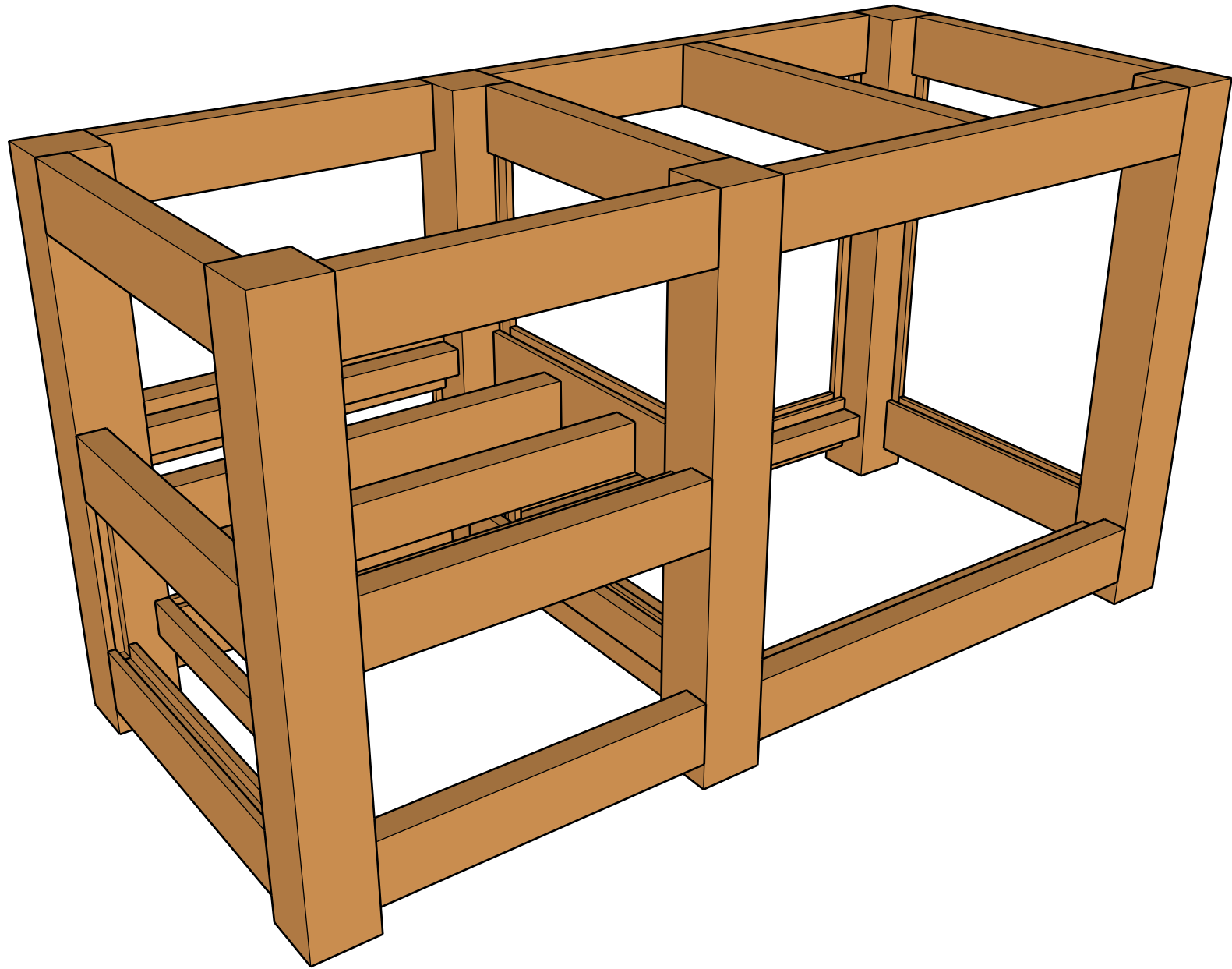


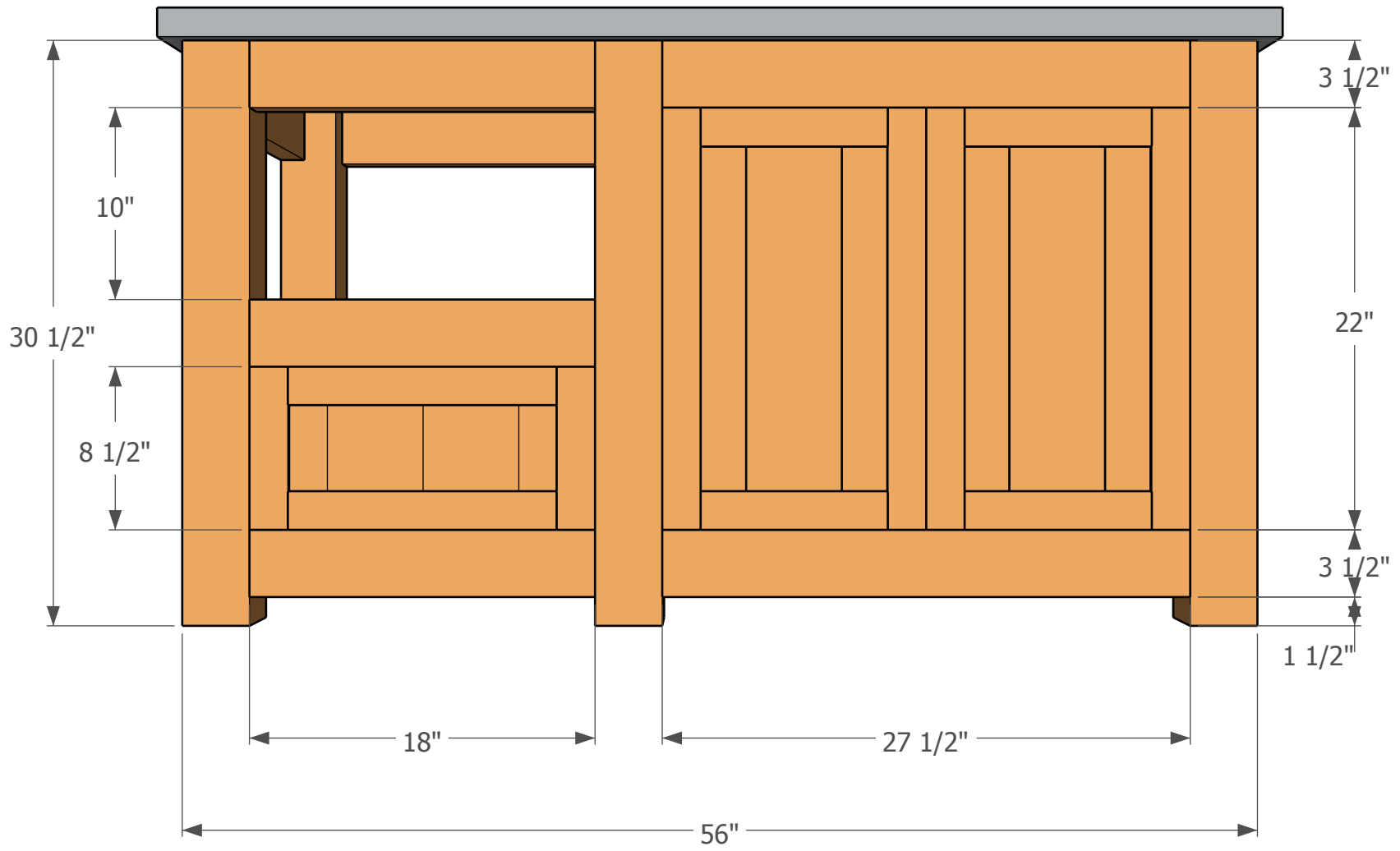
Big Green Egg Table  
3D Sketches



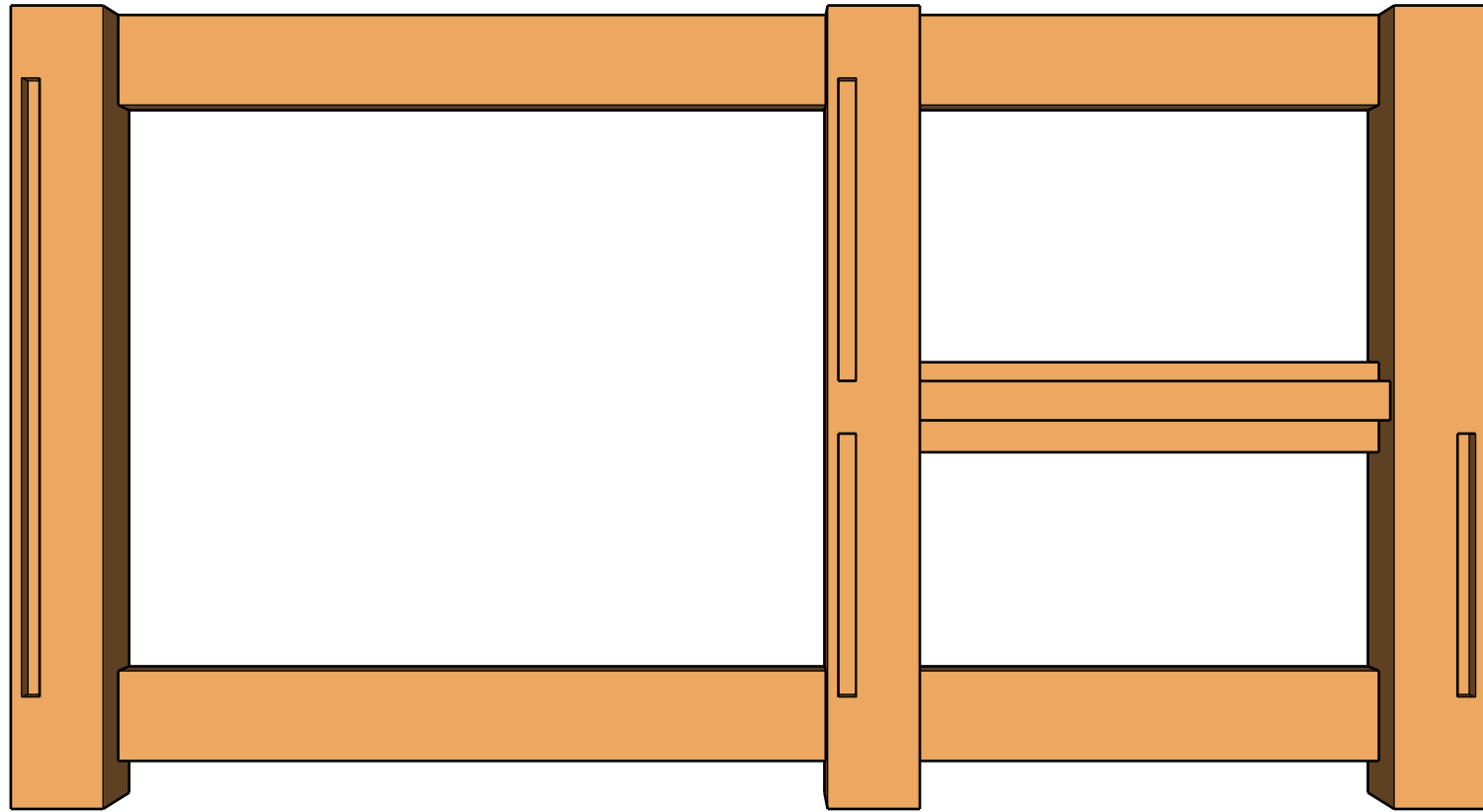
# Base Frame Assembly



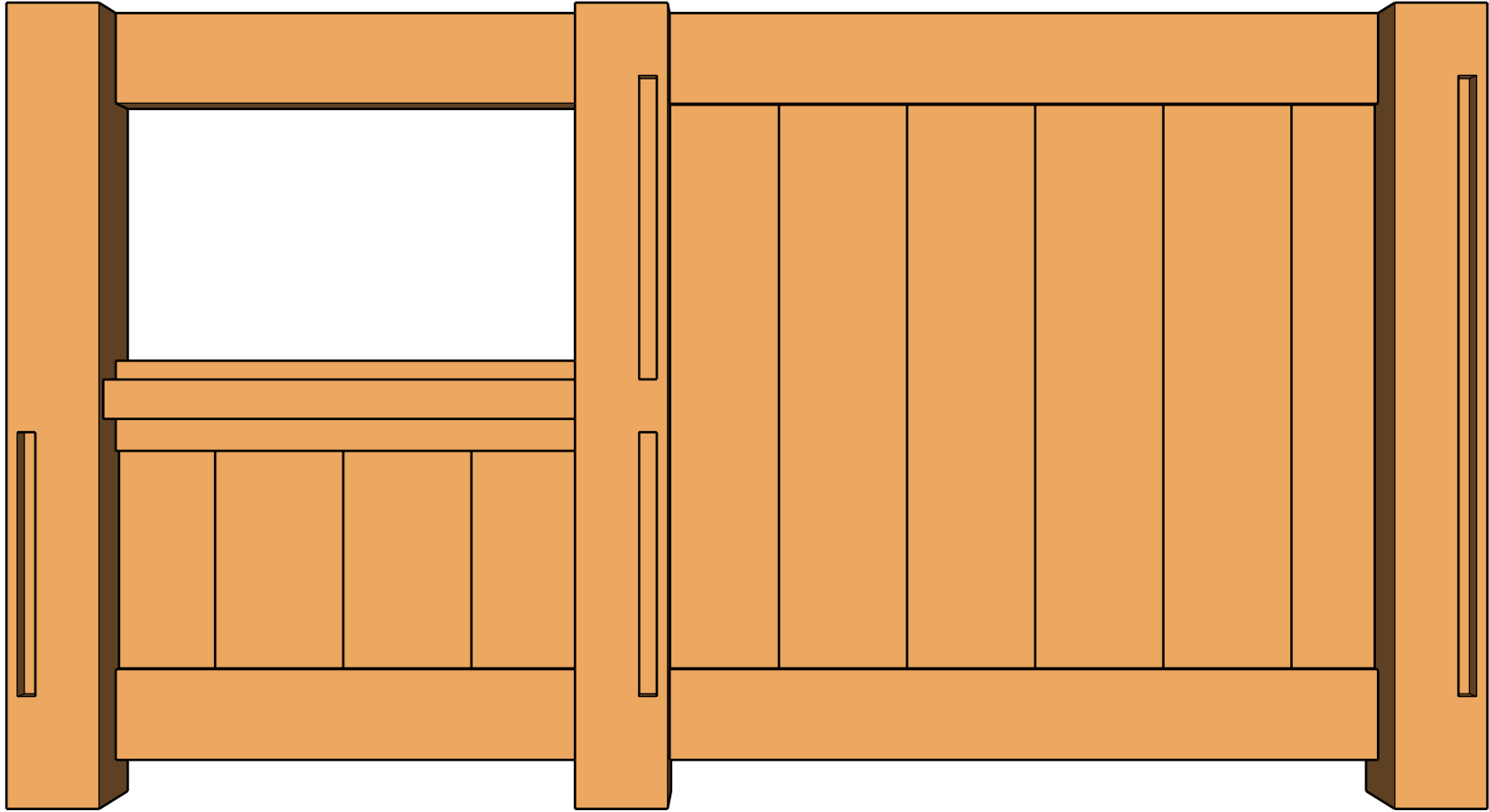
# Front Elevation



View of Front Assembly From Rear  
(Showing Leg Grooves on Front Legs)

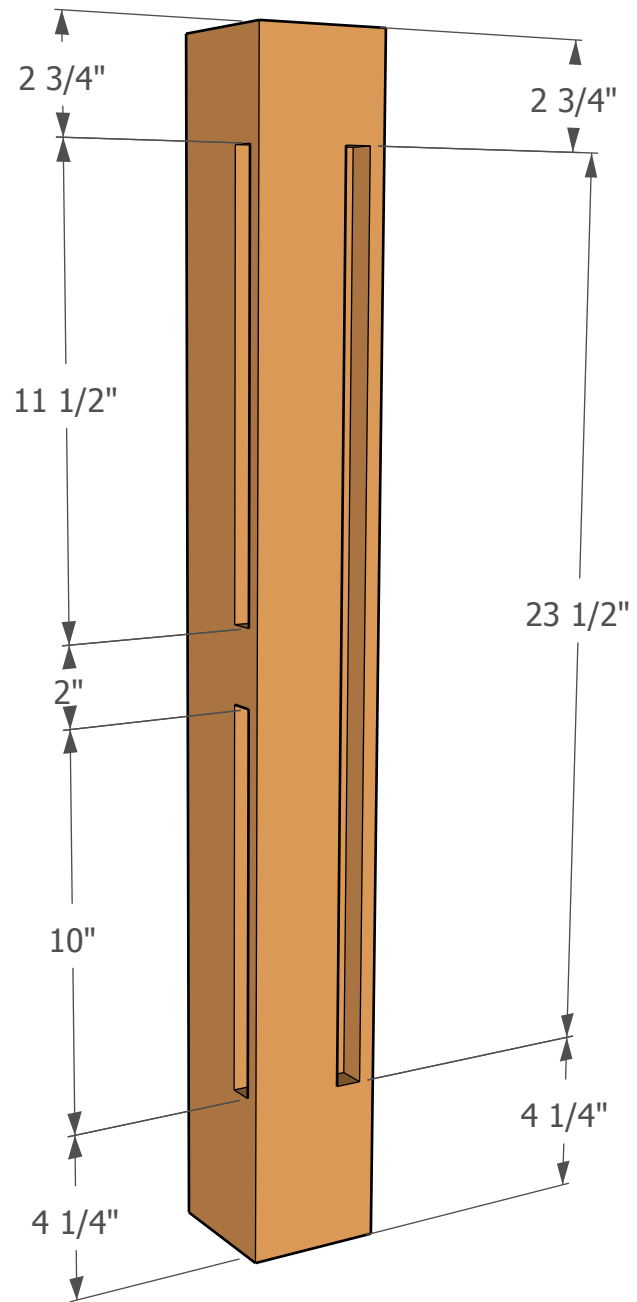


View of Rear Assembly From Front  
(Showing Leg Grooves on Rear Legs)

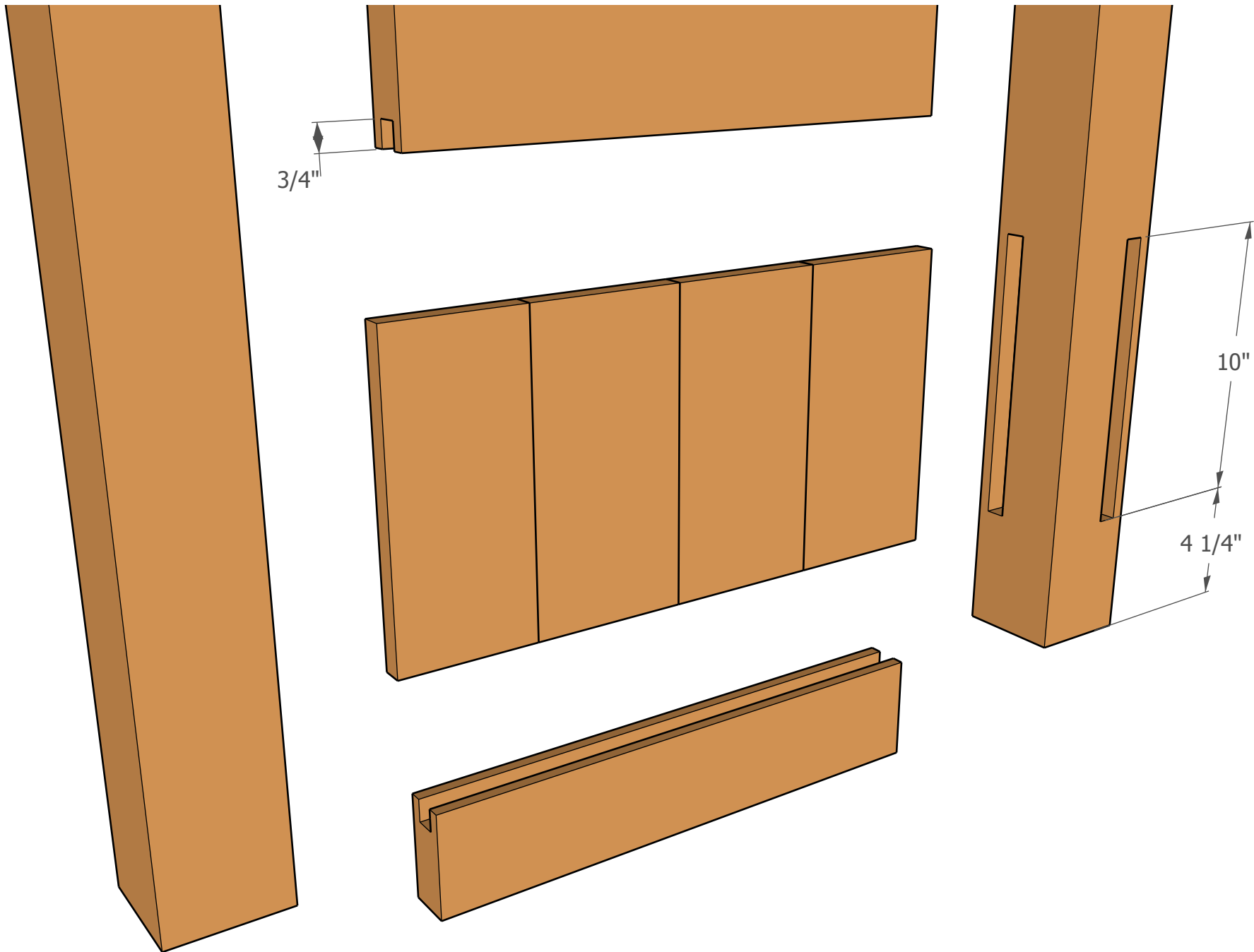


# Rear Center Leg Detail

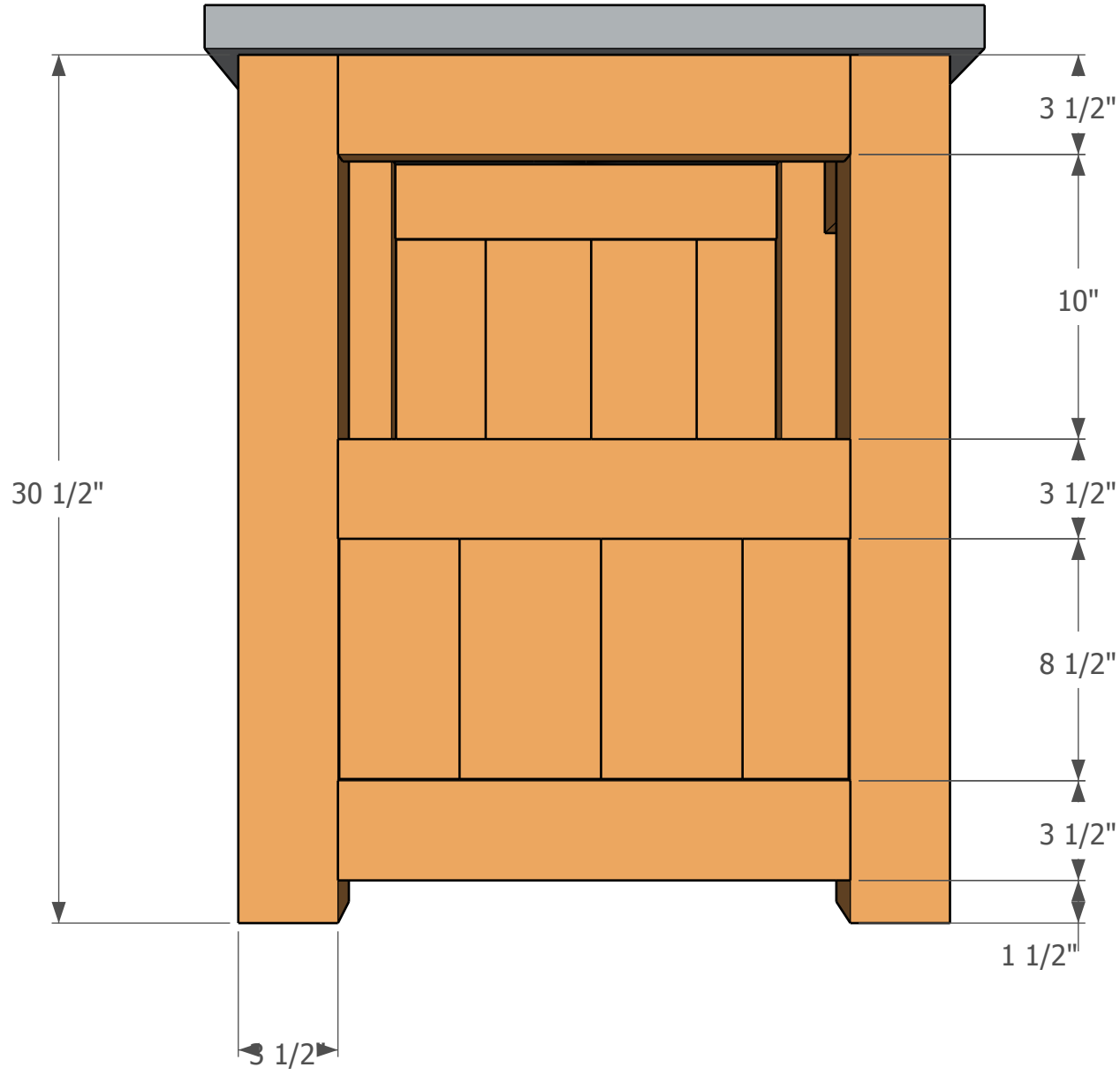
Measurements and spacing for all leg grooves can be gleaned from this sketch. Refer to Plan Steps for more detail. Each leg gets a different set of grooves.



Exploded Panel Detail (Left Side Panel)



Left Side View





# Top Detail

